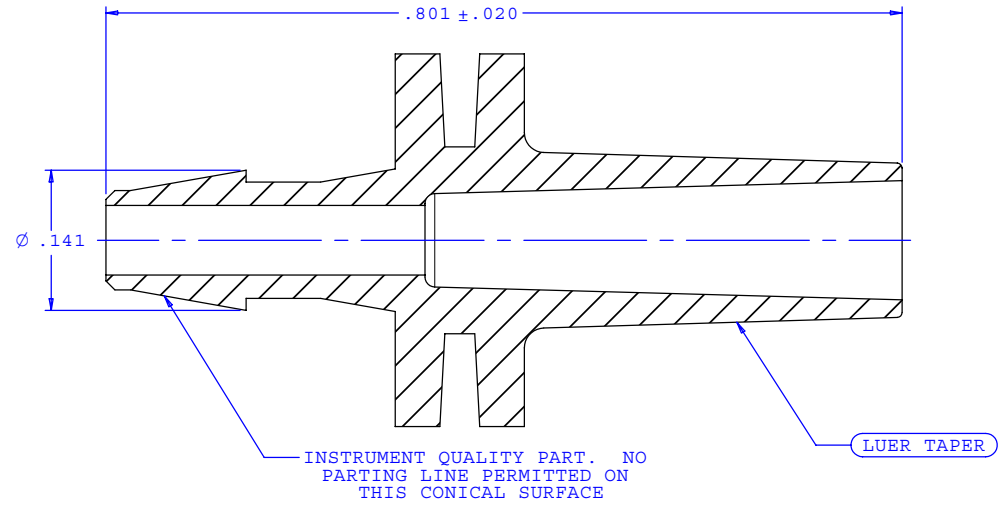
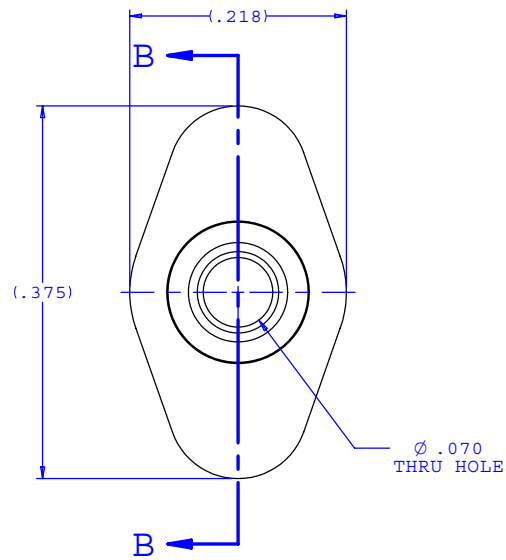
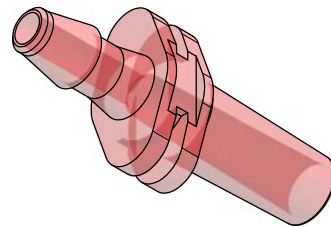


NOTE: FOR MORE DETAILS SEE YOUR V.P.CUSTOMER SERVICE REP.

REVISIONS			
REV.	DESCRIPTION	DATE	APPROVED
A	INITIAL RELEASE	09-07-02	
B	CO 013 Drafting Update	04-25-05	Rick C.



SECTION B-B



UNLESS OTHERWISE SPECIFIED DIMENSIONS ARE IN INCHES TOLERANCES ARE:		<b>VALUE PLASTICS, INC.</b>	
FRACTIONS ±	DECIMALS .XX ±.01 .XXX ±.005 .XXXX ±.001	ANGULAR ±1°	PART NUMBER: <b>MTLS220</b>
DO NOT SCALE DRAWING		DESCRIPTION: Male Luer Slip to 200 Series Barb, 3/32" (2.25 mm) ID Tubing	
DRAWN BY: <b>Frank Lombardi 4-18-05</b>	DATE:	SIZE: <b>B</b>	SCALE: <b>NTS</b>
Engineer Manager: <b>Rick Cairns</b>		DRAWING NUMBER: <b>1005579</b>	REV. <b>B</b>
© 2004 VALUE PLASTICS, INC.			SHEET: 1 OF 1

**FOR REFERENCE ONLY**